



THERMOSTATS AND WIRING BOX



TADDY

TAD02B



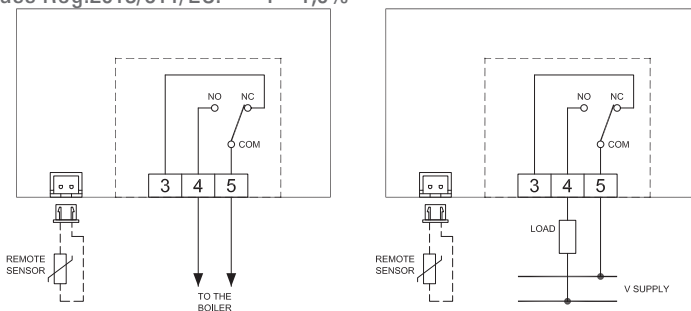
Room Temperature Probe
STAD01

BATTERY POWERED DIGITAL THERMOSTAT

The device can be used both in heating and cooling systems, and it is featured with a wide backlit display for the visualization of all the functional indications and the detected room temperature. The device can be used both in heating and cooling systems. Furthermore, the device offers the possibility to set the value of the antifreeze temperature and the Offset regulation on the internal and remote sensor.

TECHNICAL FEATURES

Power supply:	2 x 1,5V, alkaline batteries (type AAA)
Setting range:	Comfort: 5°C .. 40°C - Economy: 5°C .. 40°C
Type of sensor:	NTC 10K0hm ±1% @ 25°C
Differential:	0.0°C .. 5.0°C (Default 0.2°C)
Antifrost:	OFF / 0.0°C .. 25.0°C (Default 3.0°C)
Offset internal sensor:	± 9.9°C (Default 0.0°C)
Contact rating:	5(1)A 250V~ SPDT, voltage free.
Dimensions:	85x85x24,6 mm
Protection rating:	IP 30
Class Reg.2013/811/EC:	I = 1,0%



TADDY

TAD02M

230Vac

TAD022

24Vac



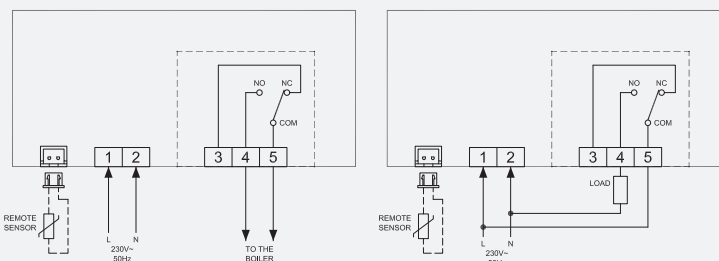
Room Temperature Probe
STAD01

230V/24V DIGITAL ROOM THERMOSTAT

The device can be used both in heating and cooling systems, and it is featured with a wide backlit display for the visualization of all the functional indications and the detected room temperature. The device can be used both in heating and cooling systems. Furthermore, the device offers the possibility to set the value of the antifreeze temperature and the Offset regulation on the internal and remote sensor.

TECHNICAL FEATURES

Power supply	(TAD 02M) 230V~ -15/+10% 50Hz (TAD 022) 24V~ -15/+10% 50Hz
Absorbed power:	1,7VA
Setting range:	Comfort: 5°C .. 40°C
Differential:	0.0°C .. 5.0°C (Default 0.2°C)
Antifrost:	OFF / 0.0°C .. 25.0°C (Default 3.0°C)
Offset internal sensor:	± 9.9°C (Default 0.0°C)
Contact rating:	5(1)A 250V~ SPDT, voltage free.
Grado di protezione:	IP30
Classe Reg.2013/811/CE:	I = 1,0%



TAS04M

230Vac

TAS042

24Vac

TA S04MT

230V~ Tamperproof

TAS042T

24V~ Tamperproof



Room Temperature Probe

STANP3

Remote Probe

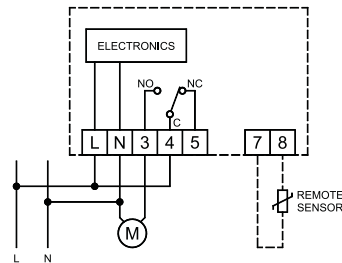
STLNTSA150

ELECTRONIC ROOM THERMOSTAT

On/off room thermostat for heating systems. Special pin stop system for limiting the setpoint range. Internal sensor and facility for remote sensor (STL NTS A 150 or STA NP3).

TECHNICAL FEATURES

Power supply	(TAS04M) 230V~ -15/+10% 50Hz (TAS042) 24V~ -15/+10% 50Hz
Working range	6 .. 30°C
Power consumption	7 VA max.
Differential	0.5°C
Sensor	NTC (4k7 0hm @ 25°C)
Output (relay)	1x5(1)A @ 250V~ SPDT
Red LED indicator	Relay active
Dimensions	H85 W85 D31mm
IP rating	IP30
Class Reg.2013/811/EC	I = 1,0%



TAS05M

230Vac

TAS052

24Vac

TAS05MT

230V~ Tamperproof

TAS052T

24V~ Tamperproof



Room Temperature Probe

STANP3

Remote Probe

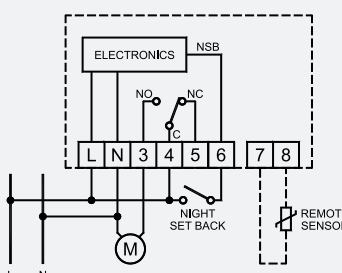
STLNTSA150

ELECTRONIC ROOM THERMOSTAT NIGHT SET-BACK

On/off room thermostat for heating systems with adjustable night set-back. Special pin stop system for limiting the setpoint range. Internal sensor and facility for remote sensor (STL NTS A 150 or STA NP3).

TECHNICAL FEATURES

Power supply	(TAS05M) 230V~ -15/+10% 50Hz (TAS052) 24V~ -15/+10% 50Hz
Working range	6 .. 30°C
Night set-back range	2°C .. 7°C (Default 4,5°C)
Power consumption	7 VA max.
Differential	0.5°C
Sensor	NTC (4k7 0hm @ 25°C)
Output (relay)	1x5(1)A @ 250V~ SPDT
Red LED indicator	Relay active
Dimensions	H85 W85 D31mm
IP rating	IP30
Class Reg.2013/811/EC	I = 1,0%



TAEZN4MC

230Vac

TAEZN42C

24Vac

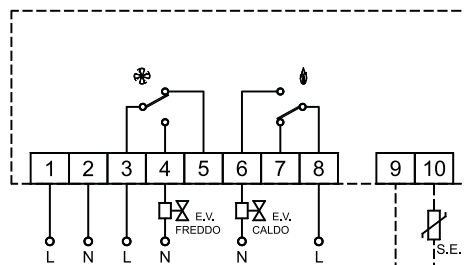


DEADBAND THERMOSTAT

Adjustable deadband thermostat with two outputs for heating/cooling, automatic change-over based on air. Special pin stop system for limiting the set-point range. Internal sensor and facility for remote sensor.

TECHNICAL FEATURES

Power supply	(TAEZN4MC) 230V~ -15/+10% 50Hz (TAEZN42C) 24V~ -15/+10% 50Hz
Working range	6 .. 30°C
Neutral zone	1 .. 11°C (adjustable)
Internal sensor	NTC (4k7 0hm @ 25°C)
Differential	<0.5°C
Output (relay)	2x5(1)A @ 250V~ SPDT
Red LED indicator	Heating
Green LED indicator	Cooling
Dimensions	H85 W85 D31mm
IP rating	IP30
Class Reg.2013/811/EC	I = 1,0%



Room Temperature Probe

STANP3

Remote Probe

STLNTSA150

TAN01M

230Vac

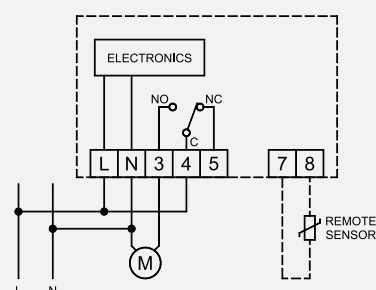


ELECTRONIC ROOM THERMOSTAT HEATING/COOLING 230V - 24V

On/off room thermostat for heating/cooling systems. Special pin stop system for limiting the setpoint range. Internal sensor and facility for remote sensor (STL NTS A 150 or STA NP3).

TECHNICAL FEATURES

Power supply	(TAN01M) 230V~ -15/+10% 50Hz (TAN012) 24V~ -15/+10% 50Hz
Working range	6 .. 30°C
Power consumption	7 VA max.
Differential	0.5°C
Sensor	NTC (4k7 0hm @ 25°C)
Output (relay)	1x5(1)A @ 250V~ SPDT
Red LED indicator	Relay active
Slide switch	Off/heating/cooling
Dimensions	H85 W85 D31mm
IP rating	IP30
Class Reg.2013/811/EC	I = 1,0%



Room Temperature Probe

STANP3

Remote Probe

STLNTSA150

TM001M

TM002M

With light indication



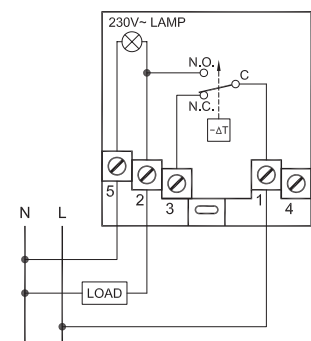
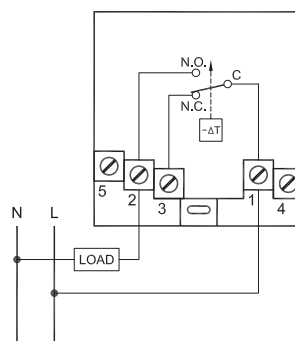
ROOM THERMOSTAT

ROOM THERMOSTAT WITH LIGHT INDICATION

Electro-mechanical room thermostat with gas filled bellows. Light indication (only for cod. TM002M). Special pin stop system for limiting the set-point range.

TECHNICAL FEATURES

Working range	8 .. 30°C
Sensor	Vapour pressure
Differential	<1°K
Contacts rating	TM0 01M 16A @ 250V~ SPDT TM0 02M 16A @ 250V~ SPDT
Dimensions	H85 W85 D31mm
IP rating	IP30
Class Reg.2013/811/EC	I = 1,0%



TM003M

On/Off switch

TM004M

Heating/cooling switch



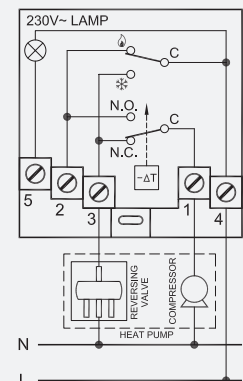
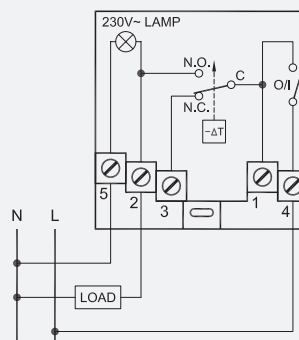
ON/OFF THERMOSTAT

HEATING/COOLING THERMOSTAT

Electro-mechanical room thermostat with gas filled bellows. Light indication. On/off switch (cod. TM003M) or heating/cooling switch (cod. TM004M). Special pin stop system for limiting the set-point range.

TECHNICAL FEATURES

Working range	8 .. 30°C
Sensor	Vapour pressure
Differential	<1°K
Contacts rating	10A @ 250V~ SPDT
Dimensions	H85 W85 D31mm
IP rating	IP30
Class Reg.2013/811/EC	I = 1,0%



FLOOR HEATING POWER AND WIRING UNITS

European demand for under floor heating systems, also known as UFH (Under Floor Heating) has been constantly increasing for years. This growth is due to a series of advantages which traditional solutions do not have: better environmental comfort, cleaning and design, lower consumption, higher adaptability to condensating boilers and to all renewable heating sources with low temperature as well as the possibility of cooling in summer.

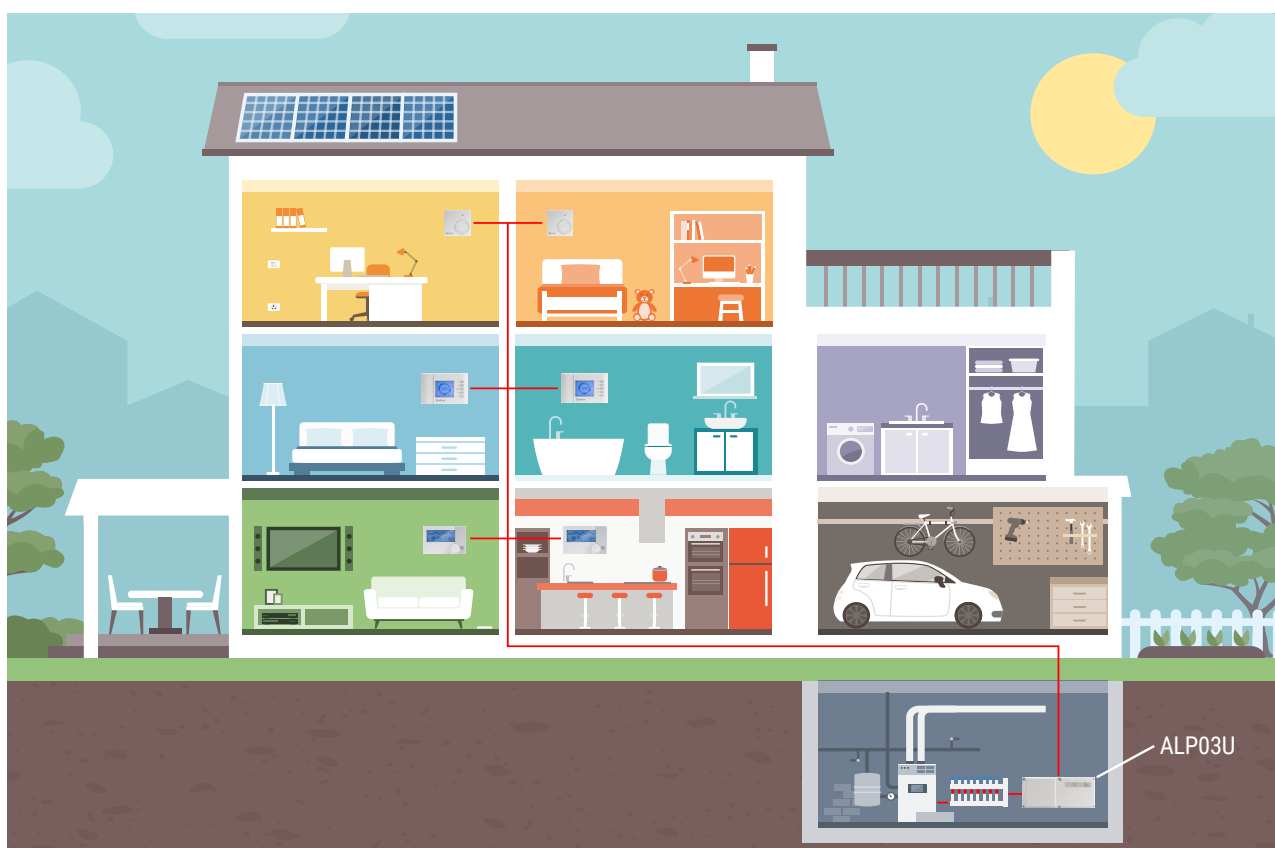
In all Northern Europe UFH systems have been the most used solution in the new plants for years. Their sales are continually increasing in Italy, too. UFH systems are intrinsically split into zones, because each room is powered by its own dedicated circuit, starting from a manifold equipped with on – off valves.

SEITRON has developed specific solutions for zone adjustment of under floor heating systems, both with wired products and completely wireless, products communicating via radio. (See else where in the catalogue the wireless system section).

WIRE CONNECTION SOLUTION

This solution is based on two ranges of products:

- Electronic room thermostats : a complete range of reliable competitive and high performance devices with 230V~ or 24V~ supply, available also in tamperproof 230V~ or 24V~ version.
- Wiring center which make easier the connection of the room thermostats and the manifold on- off valves, available in 6, 8 and 12 channels, 230V~ or 24V~ supply.



Installation example of a ALP03U with 6 room thermostats in input, 6 valves and a pump connected at the output.

ALC006M

With 230V/24V transformer

ALC006U

Without transformer

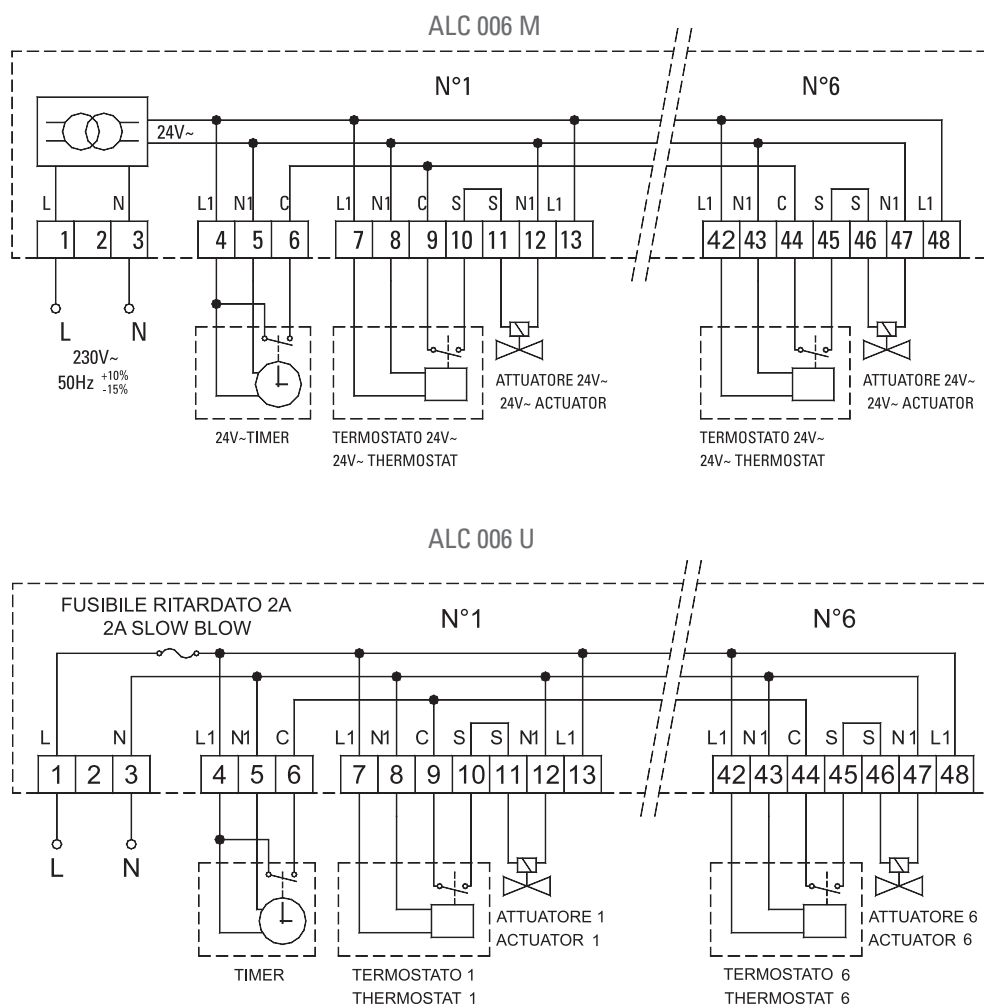
6 CHANNELS WIRING BOX

6 outputs wiring box for floor heating plants with 230V~/24V~ transformer (cod. ALC006M) or without transformer (cod. ALC006U). 6 outputs available.



TECHNICAL FEATURES

Power supply	cod. ALC006M: 230V~ ±10% 50Hz cod. ALC006U: Universal (24 .. 230V~)
Power absorption	cod. ALC006M: 24VA
Max load	cod. ALC006M: 1A @ 24V~(Tot.) cod. ALC006U: 2A @ V power supply (Tot.)
Dimensions	H100 W245 D60mm
IP rating	IP30



ALC012M

With 230V/24V transformer

ALC012U

Without transformer



WIRING BOX 12 CHANNELS

12 outputs wiring box for floor heating plants with 230V~/24V~ transformer (cod. ALC012M) or without transformer (cod. ALC012U). 12 outputs available

TECHNICAL FEATURES

Power supply

cod. ALC012M: 230V~ ±10% 50Hz

cod. ALC012U: Universal (24 .. 230V~)

Power absorption

cod. ALC012M: 40VA

Max load

cod. ALC012M: 10A @ 24V~(Tot.)

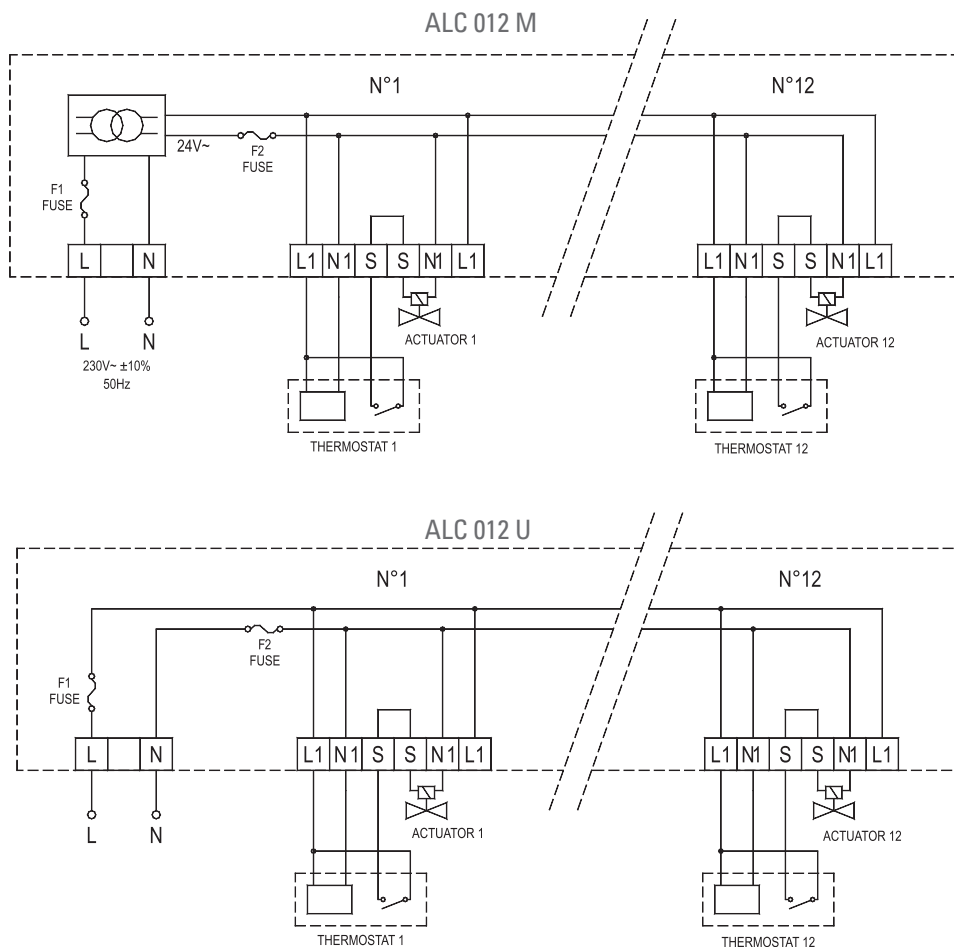
cod. ALC012U: 10A @ V power supply (Tot.)

Dimensions

H100 W245 D60mm

IP rating

IP30



ALP06U

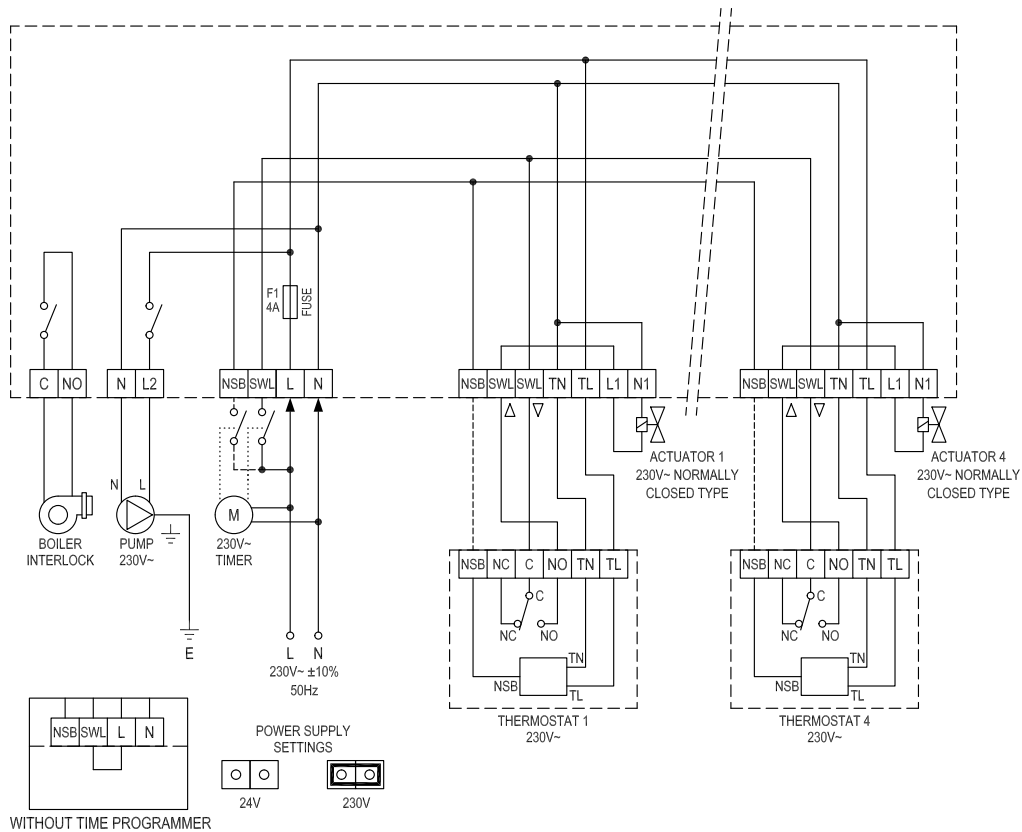


**4 CHANNELS WIRING BOX
PUMP AND BOILER CONTROL 230V-24V**

Electronic control for floor heating systems, with 24V~ or 230V~ power supply. The control offers the possibility to connect up to 4 thermostats and up to 4 actuators with selectable power supply between 24V~ or 230V~. Pump output, boiler control output and input for an external clock for the activation of the section of the actuators and thermostats.

TECHNICAL FEATURES

Power supply	230V ±10% 50Hz or 24V ±10% 50Hz
Power absorption	Depends on the loads connected
Output :	
Pump (powered)	3A
Boiler (voltage free)	1A
Actuators and thermostats	max 1A each channel max 1A total
Green LED indicator	Power supply
Red LED indicator	Pump active
IP protection	IP30
Case	ABS V0 self-extinguishing
Dimensions	H100 W130 D60mm



ALCD08M0M

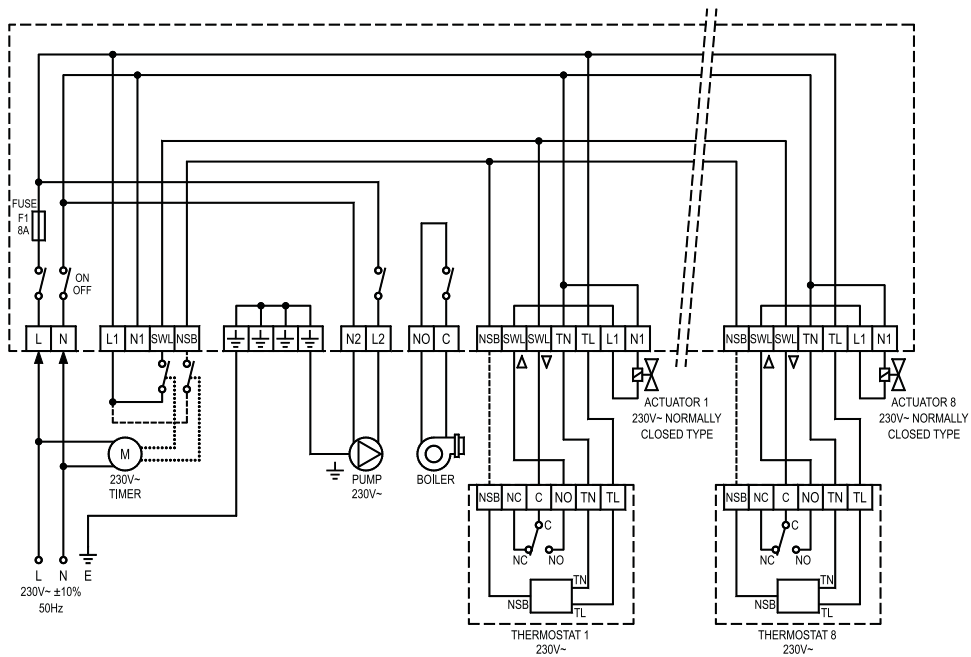


8 CHANNELS WIRING BOX PUMP AND BOILER CONTROL 230V

Electronic control for floor heating systems, with 230V~ power supply. The control offers the possibility to connect up to 8 channels, with a thermostat and up to 5 actuators each. Pump output with fixed delay time of 2.5 minutes, boiler control output and input for an external clock for the activation of the section of the actuators and thermostats.

TECHNICAL FEATURES

Power supply	230V~ ±10% 50Hz
Power absorption	According to the loads rating
Illuminated switch	On/Off
IP protection	IP44
Contacts rating: Pump	5A@250V~ SPST
Contacts rating: Boiler interlock	5A@250V~ SPST
Maximum applicable load:	
Actuators and thermostats	1,25A each channel 2A total
Dimensions	H125 W320 D67mm



ALCD08M02

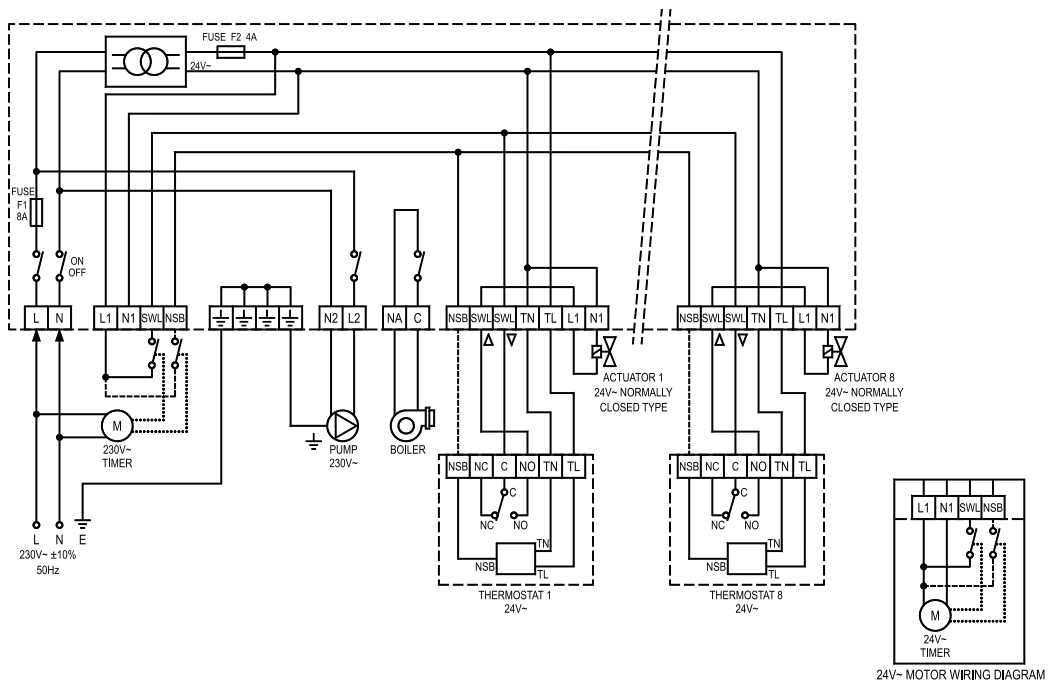


**8 CHANNELS WIRING BOX
PUMP AND BOILER CONTROL 230V-24V**

Electronic control for floor heating systems, with 230V~ power supply. The control offers the possibility to connect up to 8 channels, with a thermostat (24V~) and up to 5 actuators (24V~) each. Pump output with fixed delay time of 2.5 minutes, boiler control output and input for an external clock for the activation of the section of the actuators and thermostats.

TECHNICAL FEATURES

Power supply	230V~ ±10% 50Hz
Power absorption	According to the loads rating
Illuminated switch	On/Off
IP protection	IP44
Pump output	230V~
Boiler interlock output	Voltage free contact
Thermostats/actuators outputs	24V~
Time prog. output (optional)	24V~
Contacts rating: Pump	5A@250V~ SPST
Contacts rating: Boiler interlock	5A@250V~ SPST
Maximum applicable load:	
Actuators and thermostats	1A each channel 2A total
Dimensions	H125 W320 D67mm



ALP03U



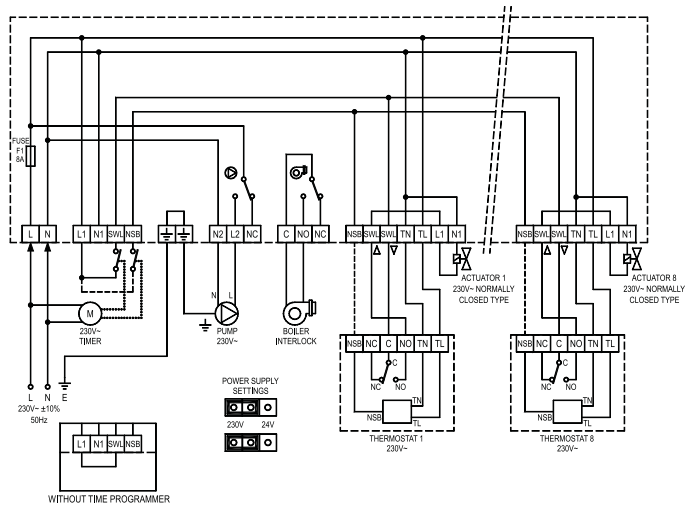
**8 CHANNELS WIRING BOX
 PUMP CONTROL 230V - 24V AND BOILER**

Electronic control for heating floor systems. The control offers the possibility to connect up to 8 thermostats and 8 actuators with selectable power supply between 230V~ or 24V~. Pump output is available + boiler interlock, input for an external clock for the activation of the section of the actuators and thermostats.

TECHNICAL FEATURES

Power supply	230V ±10% 50Hz or 24V ±10% 50Hz
Power absorption	Depends on the loads connected
Output :	
Pump (powered)	5A @ 250V~ SPDT
Boiler (voltage free)	1A @ 250V~ SPDT
Actuators and thermostats	8x1A @ 250V~
Green LED indicator	Power supply
Red LED indicator	Pump active
IP protection	IP30
Case	ABS V0 self-extinguishing
Dimensions	H100 W245 D60mm

ALP 03U 230V



ALP 03U 24V

